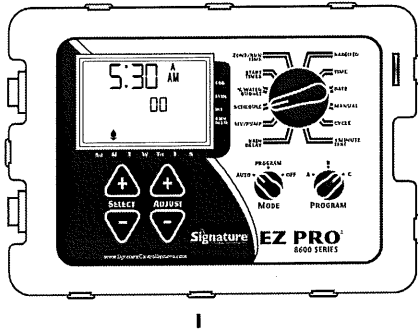
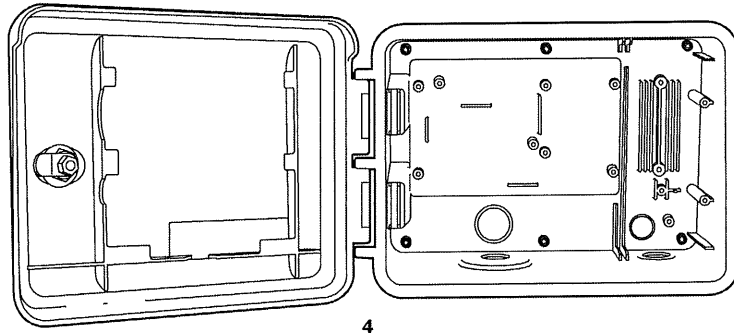


CONTROLLERS

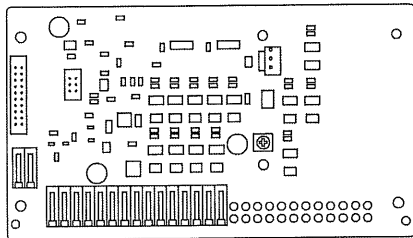
EZ Pro™ 8600 Series



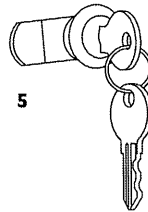
1



4



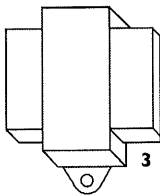
2



5

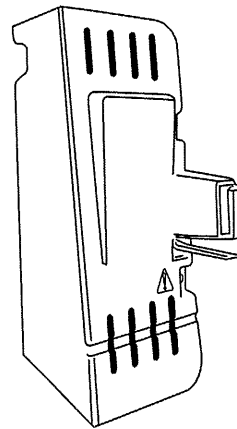


6



3

7



Item Nos.	Part No.	Description	Item Nos.	Part No.	Description
1	77473	EZ Pro™ front panel	2	77480	EZ Pro™ 24 Zone Interconnect Board
2	77474	EZ Pro™ 4 Zone Interconnect Board	3	77469	EZ Pro™ 120v Transformer
2	77475	EZ Pro™ 6 Zone Interconnect Board	3	77470	EZ Pro™ 230v Transformer
2	77476	EZ Pro™ 8 Zone Interconnect Board	4	77610	EZ Pro™ Box Assembly
2	77477	EZ Pro™ 12 Zone Interconnect Board	5	77472	Lock and Key Assembly
2	77478	EZ Pro™ 16 Zone Interconnect Board	6	77609	Universal Key Set New & Old Style
2	77479	EZ Pro™ 20 Zone Interconnect Board	7	77635	EZ Pro™ Transformer Cover