

MPLC24

SmartBox - Standard

- A great option for pump start and pump protection in one, the Munro Smart-Box includes a preset pressure sensor that alerts the control system of potential pump damage due to loss of prime or run-dry. All external devices are powered at reduced 24 volts. Low risk of line voltage harming people or pets.
- Works with any residential turf irrigation pump - available in 24v, 110v, 220v coils
- Color-coded wiring - makes hook up a breeze
- UL listed relay and enclosure - safe and reliable

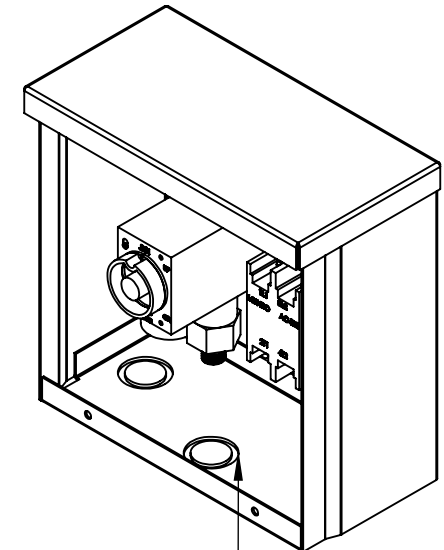
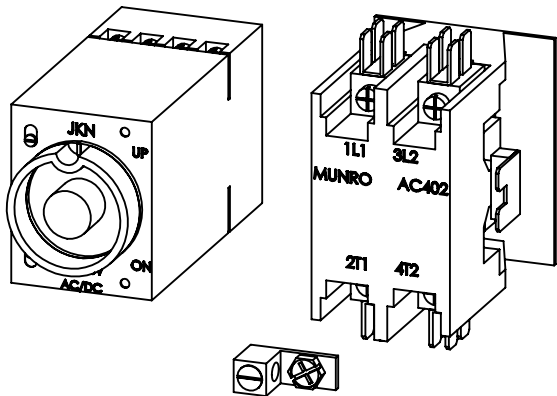
Construction

- Dimensions - 8"x8"x4"
- Quick connect terminals
- UL listed relay
- NEMA 3R UL listed enclosure - approved for outdoor use, available in stainless steel or powder coated blue or grey

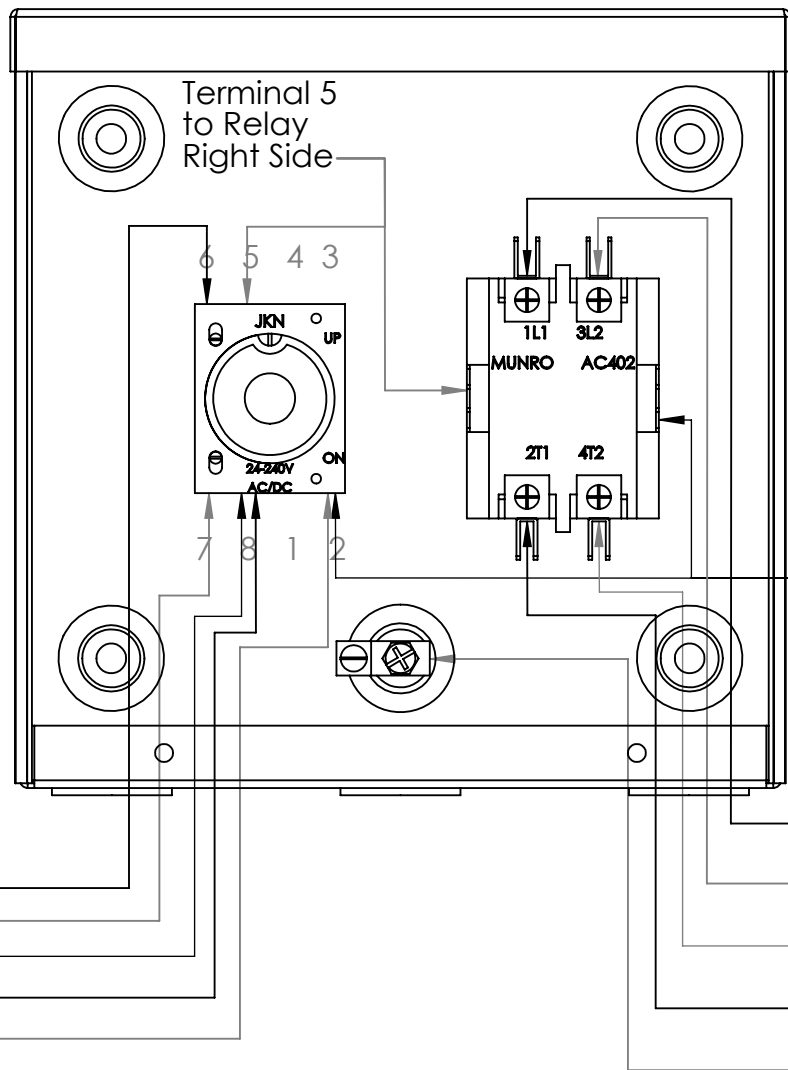
Specifications

- Signal Voltage: 24V
- Electrical Rating: 120V-24FLA, 240V-28FLA
- Largest Motor: 120V-2HP, 240V-5HP
- Short Circuit Rating: 120V-5KA, 240V-5KA
- Hertz: 60
- Line Voltage: 110, 220
- Phase: 1

MUNRO MPLC24 Pump Start Relay



* Knockouts



Optional Domestic Valve Connects to Terminal 6

7 to Pressure and/or Temp. Sensor (Blue)

8 to Pressure and/or Temp. Sensor (Red)

8 to Control Device Master Valve 24 Volt (Black)

2 to Control Device Common 24 Volt (White)

Terminal 5 to Relay Right Side

Terminal 2 to Relay Left Side

Line 1
Line 2
To Motor Line 1
To Motor Line 2
Ground Wire

*All Wires Leaving Box Through Knockouts in Base

MUNRO MPLC24 Pump Start Relay