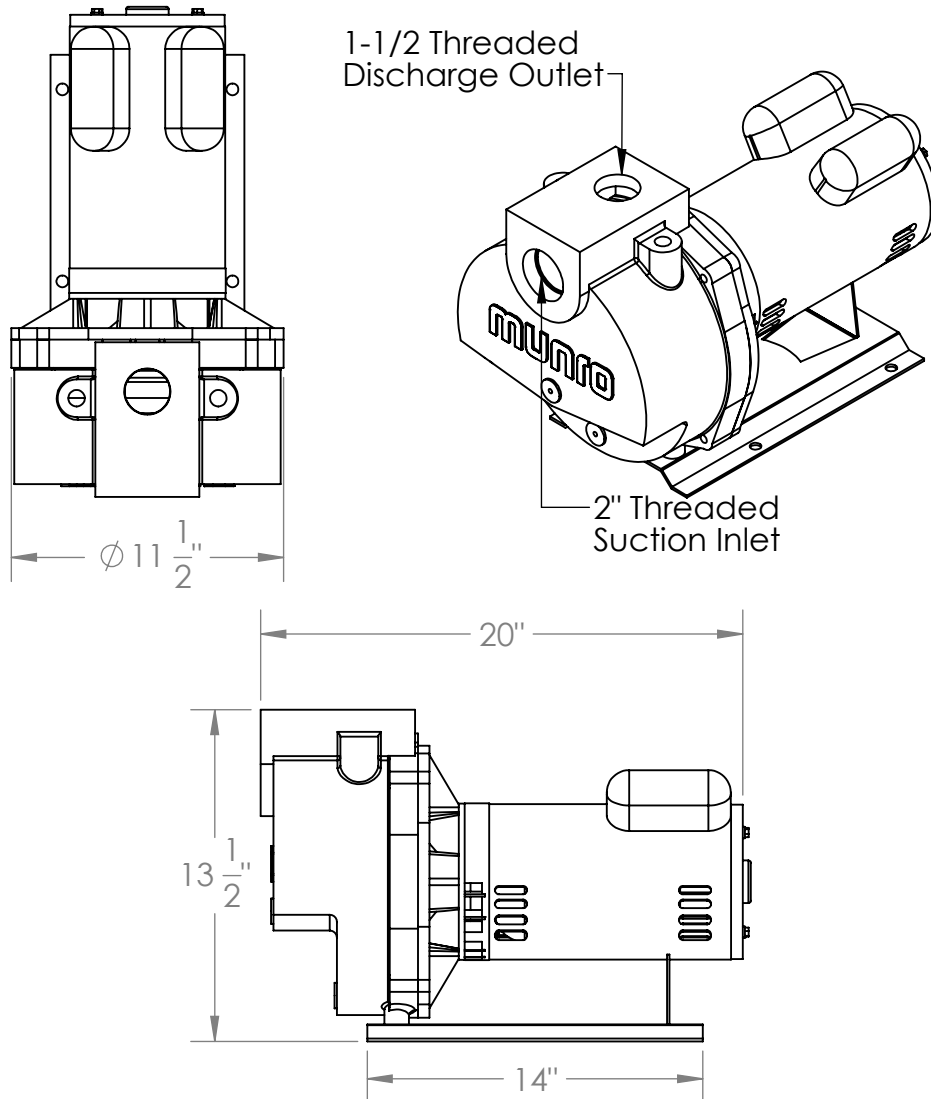


LP1502B

2HP, 230V, 1Ph, 16A, 120lbs.



MUNRO LP1502B Pump

- **Brass Impeller** - Tough and long lasting, one brass impeller means you'll see less maintenance than other pumps that offer similar performance
- **Silica Carbide Seal** - Proven toughness stands up to less than ideal situations
- **Heavy Duty Motor** - Lasts longer and provides application flexibility
- **COMMON APPLICATIONS**
 - **Residential turf Irrigation** - Small to mid-size community or commercial turf irrigation
 - **High-Pressure Booster** - Boost domestic water pressure for use in irrigation
 - **Water Transfer**
- **ADVANTAGES**
 - **Multi-Stage Performance with Single-Stage Simplicity** – This self-priming pump is delivering almost 60 gpm at 60 psi. The high-pressure capabilities of this pump can be compared to other brand's multi-stage or 5 hp pumps
 - **Durable and Long Lasting** – Before the LP 1502, only a multi-stage pump could achieve this performance to horsepower ratio. Keeping the shaft short makes the pump more stable and durable. Add to this our cast iron construction and brass impeller and it's clear that this is a pump made to stand the test of time.
 - **Easy to install and maintain** – Two priming ports make the Munro LP 1502 easy to install and two drain valves make winterization a snap.