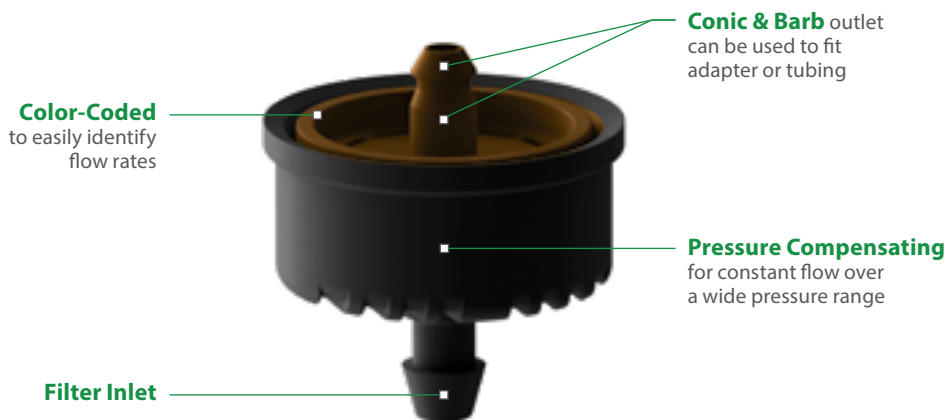


SUPERTIF PC

Pressure Compensating Online Dripper



Advantages

- Ideal choice for applications on sloping terrain or where long runs are required
- Multiple flow rates to match irrigation requirements
- Self-activating flushing mechanism to provide excellent clog resistance
- Can be configured to work with multi-branching outlets or just the dripper itself
- Superior Materials provide UV protection for a long life

Applications

- Greenhouses and nurseries
- Wine grapes
- Table grapes
- Pistachios
- Pecans
- Permanent crops

Available Configurations

Outlet Locations	Top (Conic & Barb)
Flow Rates (gph)	0.42, 0.53, 0.58, 1.02, 2.06, 3.17, 6.6
Operating Guidelines	Works with 3 x 5 mm (0.118" x 0.197") micro tubes
Pressure Compensation Ranges (psi)	8.5 - 50
Installation	Use 2 mm (0.079") punch tool
Available Options	Non-Drain (please inquire)

Grower Benefits

- Accurate delivery of water
- High uniformity and crop yield
- Reduces plugging and cleaning time

Maximum Lateral Run Length (ft) - 0% Slope, Calculated at 29 psi

Color	Nominal Flow Rate (gph)	Hose Diameter		Spacing Between Drippers (in)					
		ID (in)	OD (in)	12	20	24	30	40	60
Brown	0.58	0.386	0.472	167	259	299	354	443	600
	0.58	0.535	0.630	335	499	571	676	830	1102
	0.58	0.598	0.701	423	627	712	837	1024	1348
	0.58	0.685	0.787	564	817	928	1086	1319	1729
Black	1.02	0.386	0.472	115	180	207	246	308	420
	1.02	0.535	0.630	233	348	397	469	577	768
	1.02	0.598	0.701	295	436	499	584	715	945
	1.02	0.685	0.787	394	571	650	758	922	1211
Green	2.06	0.386	0.472	72	115	131	157	197	266
	2.06	0.535	0.630	148	220	253	299	367	489
	2.06	0.598	0.701	187	276	315	371	456	600
	2.06	0.685	0.787	249	364	413	482	587	774
Red	3.17	0.386	0.472	56	85	98	118	148	203
	3.17	0.535	0.630	112	167	190	226	279	371
	3.17	0.598	0.701	141	210	240	282	344	459
	3.17	0.685	0.787	190	276	312	367	446	587
Orange	6.6	0.386	0.472	26	43	46	56	72	95
	6.6	0.535	0.630	52	82	92	108	131	177
	6.6	0.598	0.701	66	102	115	135	164	217
	6.6	0.685	0.787	92	135	151	174	213	282

* Filtration requirement is dependent on a number of factors including water source and application. Please consult with an irrigation specialist for filtration requirements for your specific application.



Case study outcomes are for information purposes only and actual results may vary. This literature has been compiled for circulation in USA, Mexico and Canada. Descriptions, photos, and information are for general purpose use only. Please consult with an irrigation specialist and technical specifications for proper use of Rivulis products. Because some products are not available in all regions, please contact your local dealer for details. Rivulis reserves the right to change specifications and the design of all products without notice. Every effort has been used to ensure that product information, including data sheets, schematics, manuals and brochures are correct. However information should be verified before making any decisions based on this information. 20191206