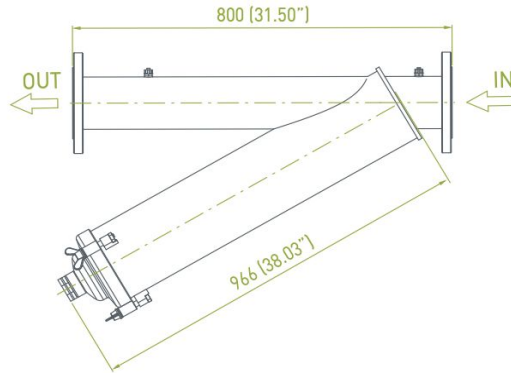


4" Compact In-Line

Dimensional Drawing



4" Compact In-Line Typical Installation Drawing

Pressure Loss Graph in clean water

