

SPECIFICATIONS

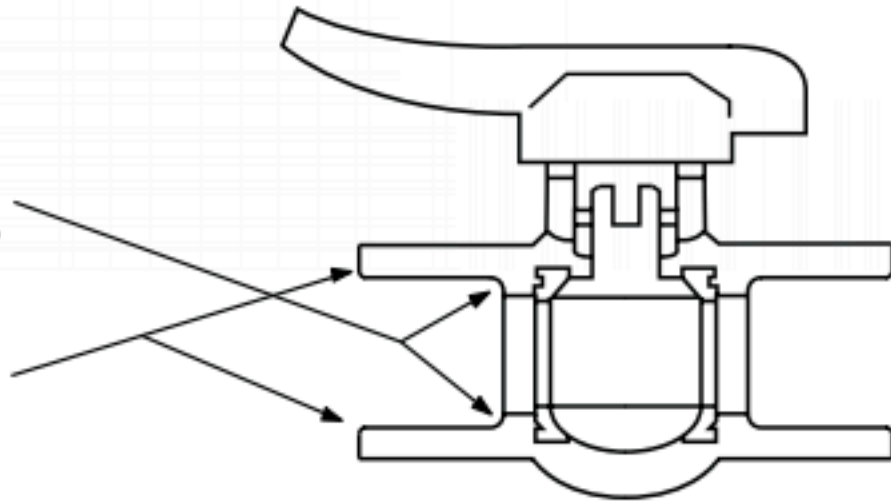
PVC BALL VALVES



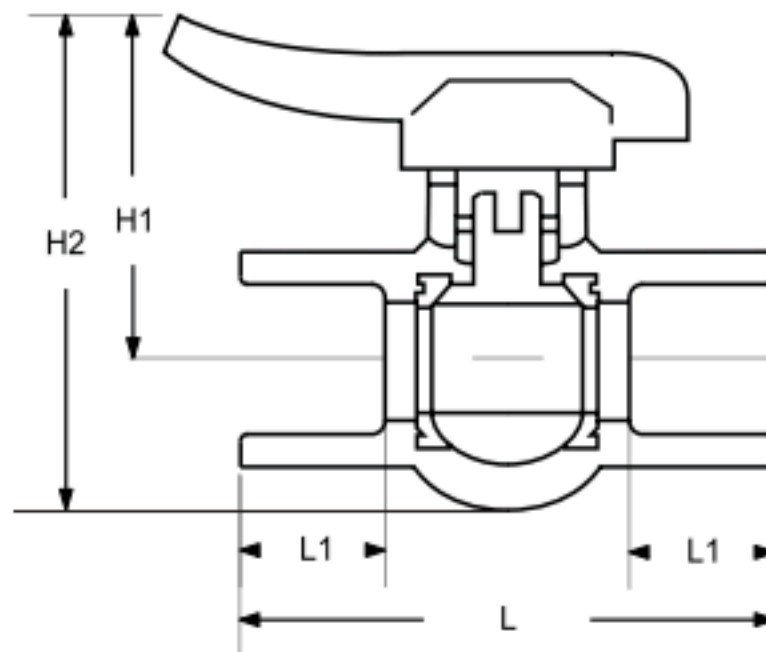
Unique Features

A molded radius at the bottom of the socket provides extra strength and integrity to the valve body

Socket entrance with radius facilitates easier solvent welding and connection reliability



Part Number		Size	Dimensions			
Threaded	Slip		L	L1	H1	H2
BVT-005	BVS-005	1/2"	3	0.87	1.98	2.49
BVT-007	BVS-007	3/4"	3.45	0.90	2.11	3.02
BVT-010	BVS-010	1"	3.91	1.00	2.21	3.42
BVT-012	BVS-012	1 1/4"	4.35	1.06	2.45	3.82
BVT-015	BVS-015	1 1/2"	5.00	1.20	2.97	4.26
BVT-020	BVS-020	2"	5.75	1.50	3.43	5.10
BVT-025	BVS-025	2 1/2"	6.82	1.57	3.91	6.53
BVT-030	BVS-030	3"	9.38	2.50	4.42	7.42
BVT-040	BVS-040	4"	10.38	2.56	5.05	8.23



Specifications may change due to engineering changes.

HIT PRODUCTS CORPORATION

556 S. Mirage Avenue • P.O. Box 929 • Lindsay, CA 93247

TEL.: (559) 562-5975 • FAX: (559) 562-6626 • EMAIL: sales@hitproductscorp.com

April 2015