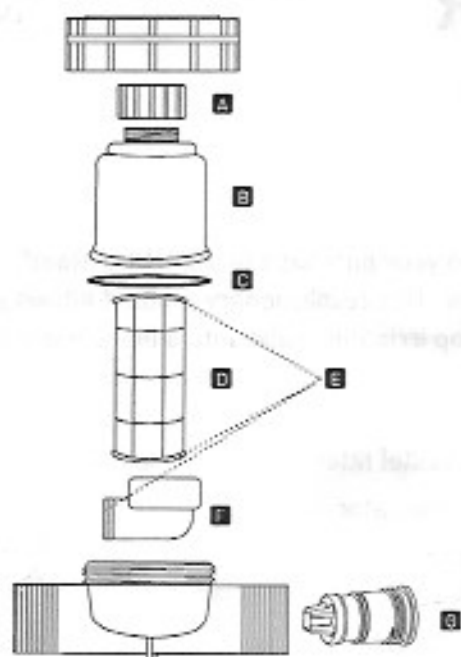


Parts Listing



- A Flush Cap
- B Filter Housing
- C Filter Housing O-Ring
- D Filter Body
- E Filter O-Rings
- F Filter Receiver
- G Pressure Regulator Assembly

Maintenance

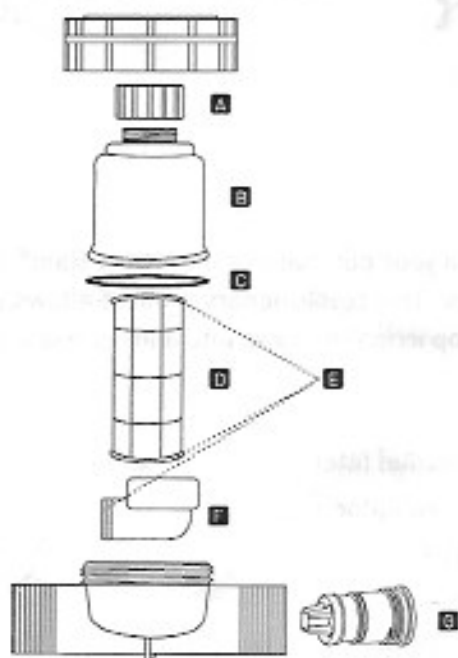
Monthly

Use the flush port to clean large debris from the filter (adjust frequency based on water conditions). Before flushing ensure that the timer is in the OFF position. Next, remove the flush cap and attach a garden hose to the filter housing. Rotate the bleed screw counter-clockwise to manually open the valve and let the water run for 30 seconds. Turn the bleed screw clockwise to close the valve and replace the flush cap.

Annually

Removing fine debris from the filter. With your timer in the OFF position, remove the filter housing by unscrewing the housing ring. Gently remove the filter and flush with clean water. Ensuring that all four o-rings are in place. Replace housing and hand tighten the housing ring.

Parts Listing



- A Flush Cap
- B Filter Housing
- C Filter Housing O-Ring
- D Filter Body
- E Filter O-Rings
- F Filter Receiver
- G Pressure Regulator Assembly

Maintenance

Monthly

Use the flush port to clean large debris from the filter (adjust frequency based on water conditions). Before flushing ensure that the timer is in the OFF position. Next, remove the flush cap and attach a garden hose to the filter housing. Rotate the bleed screw counter-clockwise to manually open the valve and let the water run for 30 seconds. Turn the bleed screw clockwise to close the valve and replace the flush cap.

Annually

Removing fine debris from the filter. With your timer in the OFF position, remove the filter housing by unscrewing the housing ring. Gently remove the filter and flush with clean water. Ensuring that all four o-rings are in place. Replace housing and hand tighten the housing ring.

Hydro-Rain

North Salt Lake, UT 84054

P:) 1-888-493-7672

F:) 801-203-1179

www.hydrorain.com

02115-24 rA