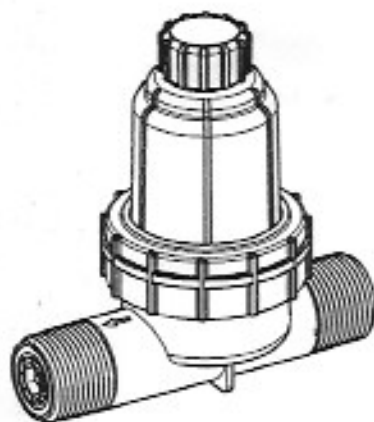


2-IN-1 DRIP FILTER/ PRESSURE REGULATOR

Instructions

HYDRO-RAIN®

Built for Speed™



Congratulations on your purchase of the Hydro-Rain® 2-in-1 Filter Pressure Regulator. This revolutionary product allows you to convert your 1" FPT Jar-Top irrigation valve into a low pressure drip valve.

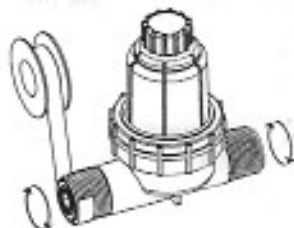
Features:

- 200 Mesh (removable) filter
- 30 Psi pressure regulator
- 1" MPT Inlet/outlet

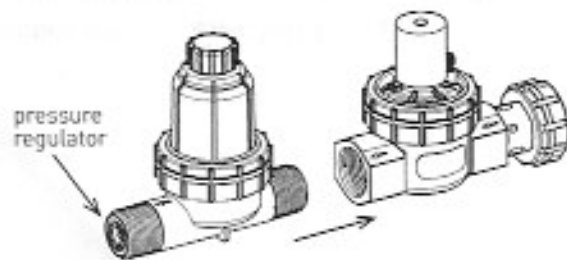
Important Guidelines

- For outdoor use with cold water only.
- Check local codes for installation requirements.
- If static water pressure exceeds 80 PSI, a pressure regulator should be installed on the main sprinkler line.
- Pressure test all water lines before covering pipe and timer control wire.
- Warning: DO NOT use pipe dope on threads, use thread seal tape.

Installation Instructions



Step 1: Put 5 complete turns of tape around the threads of each end of the Filter Pressure Regulator.



Step 2: Thread the Filter Pressure Regulator into the valve until snug. Important: ensure that the water flow arrow and pressure regulator point away from the valve and towards the sprinkler pipe.