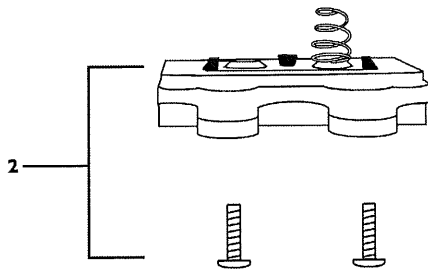
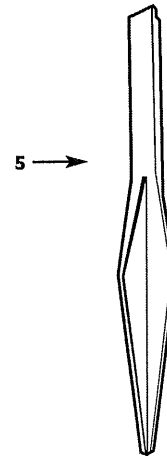
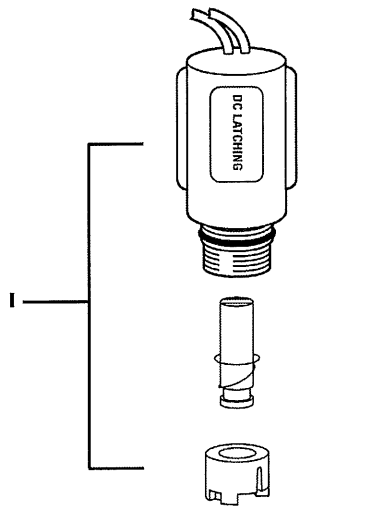
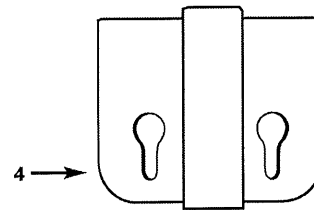
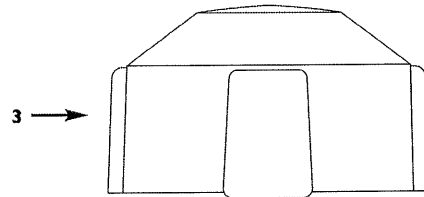
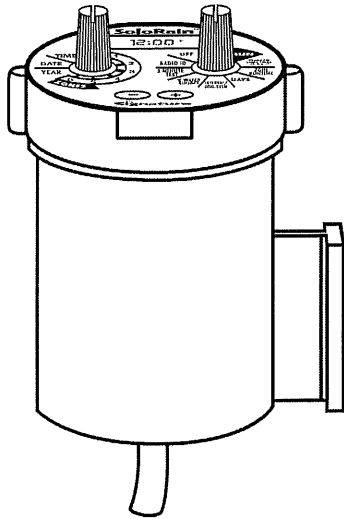


BATTERY OPERATED CONTROLLERS

SoloRain® 8020 Series



| Item Nos. | Part No. | Description | Item Nos. | Part No. | Description |
|-----------|----------|--|-----------|----------|----------------------------|
| 1 | 8020DC | Latching Solenoid Plunger with spring Plunger Retainer | 3 | 77593 | Protective Cover |
| 2 | 77599 | Battery Cover with Screws | 4 | 8020P | 8020 Series Mounting Plate |
| | | | 5 | 8020S | 8020 Series Mounting Stake |