

# THG/THF

### Applications

Secondary filtration, safety filtration. The disk filter allows high efficiency and filtration precision. Thanks to the excellent UV ray resistance, it can be installed outdoors without any protection.

### Materials

- Body: polyamide reinforced with fibre glass
- Cover: polyamide reinforced with fibre glass
- Closure elements:
  - polyamide ring nut
  - ring in stainless steel AISI 304
- Filtering element:
  - mesh in stainless steel AISI 304 with polypropylene structure
  - mesh in polyester with structures in stainless steel AISI 304
  - polypropylene disks
- Gaskets: NBR
- Disks support: glass reinforced polyamide

### Characteristics

- Maximum working pressure: 10 bar at 20°
- Standard filtration grade: 120 mesh (filtration available: 50, 80, 150, 200 mesh)
- Types of connection: threaded, victaulic or combined
- Manometer coupling: Ø1/4" female
- Installation: on line or at right angle

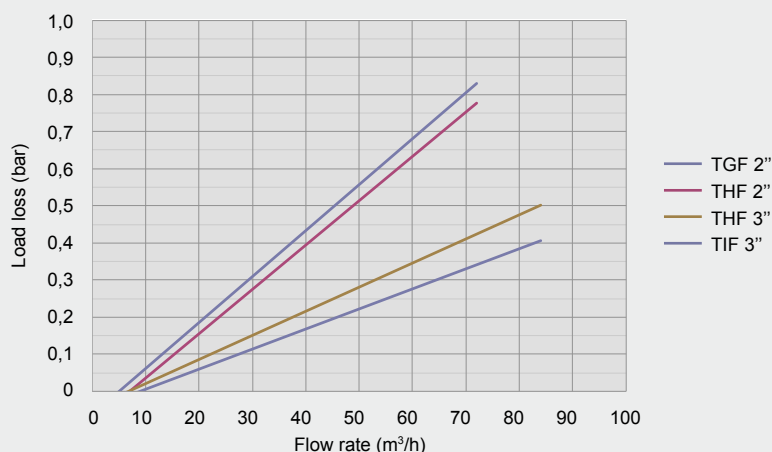


THG  
with ring nut



THF  
with S.S. ring

### Load loss\*



\*Testing for load loss was carried out with clean water.

# THG/THF

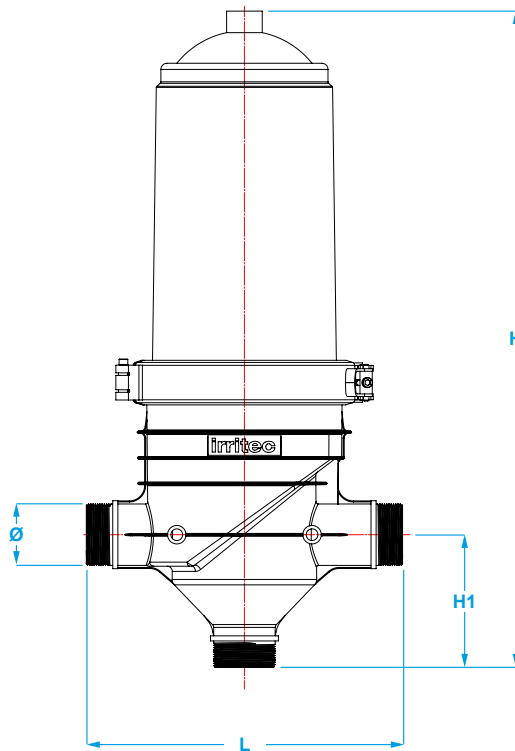
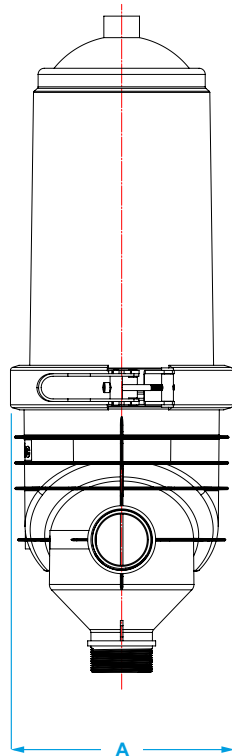
## Technical data

Couplings	Pricelist ref.	Filtering cartridge	Rec. max. flow rate (m <sup>3</sup> /h)	Filtration area (cm <sup>2</sup> )
2"	IFTH#GIL	s.s.	30	1402
	IFTH#GDL	disk		
	IFTH#GEL	Rotodisk™		
3"	IFTH#IIL	s.s.	50	1402
	IFTH#IDL	disk		
	IFTH#IEL	Rotodisk™		

Replace # with G (ring nut) or F (ring)

## Dimensions

Ø (inches)	L (mm)	A (mm)	H (mm)	H1 (mm)	Weight (kg) THG	Weight (kg) THF
2"	327	250	660	130	7	6,6
3"	327	250	660	140	7,4	7



## Components

Number	Description
1A	stainless steel ring cover
1B	ring nut cover
2	or cover
3	stainless steel closure ring
4	complete stainless steel screen cartridge
5	complete stainless steel disk cartridge
6	Rotodisk® cartridge (with deflector)
7A	closure body with ring
7B	closure body with ring nut

