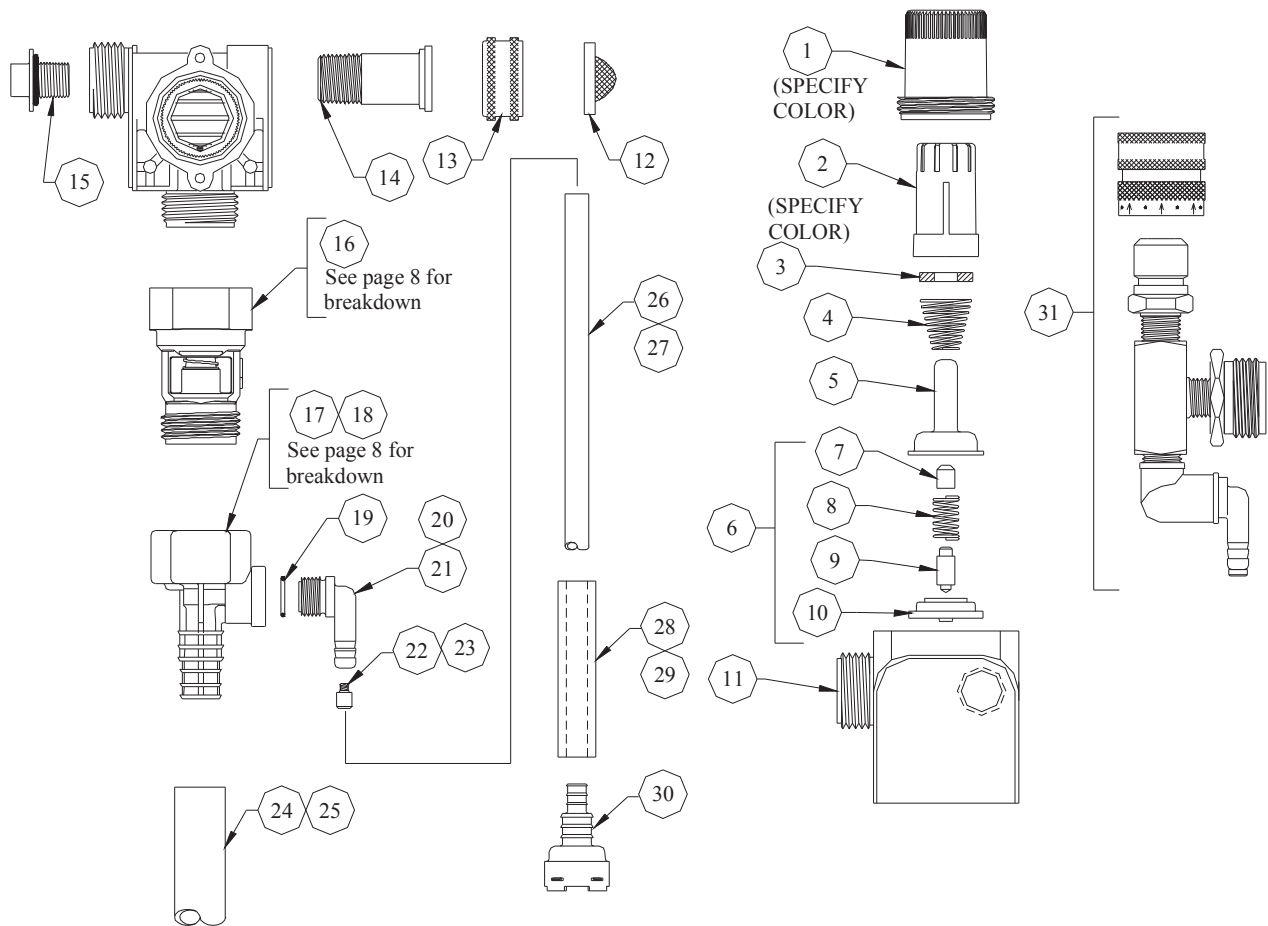


# DEMA BLEND CENTER MODELS 681GAP-1, & 681GAP-4



NO.	PART NO.	DESCRIPTION
1	66-139	Magnet Housing (Specify Color)
2	66-140	Push Button (Specify Color)
3	63-35	Magnet
4	63-36	Spring
5	41-7-25	Enclosing Tube
6	63-87	Valve Repair Kit
7	63-37	Spacer
8	41-1-8	Kick-off Spring
9	63-38	Plunger
10	41-15-5	Diaphragm
11	63-39	Valve Body
12	100-38	Strainer Washer
13	65-10-2	Coupling
14	65-100-12	Swivel Adapter Stem
15	66-153	Pipe Plug & O-Ring Assy.

16	16-30	Action Gap Assembly
17	61-99-2 61-99-1	1GPM (1/4" Barb) Proportioner-Green 1GPM (3/8" Barb) Proportioner-Green
18	61-22-3 61-22-2	4GPM (1/4" Barb) Proportioner-Gray 4GPM (3/8" Barb) Proportioner-Gray
19	63-78	O-Ring
20	63-79	Inlet Barb (1/4" Barb)
21	63-80	Inlet Barb (3/8" Barb)
22	100-15K	Metering Tip Kit (1/4" Barb)
23	61-9K	Metering Tip Kit (3/8" Barb)
24	16-3-6	1/2" ID x 6' Lg. Vinyl Outlet Tube -1gpm
25	61-21	1/2" ID x 6' Lg. Vinyl Outlet Tube-4gpm
26	100-12	1/4" ID x 8' Lg. Vinyl Supply Tubing
27	100-12L	3/8" ID x 8' Lg. Vinyl Supply Tubing
28	61-107-2	Ceramic Weight (1/4" ID Tube)
29	61-107	Ceramic Weight (3/8" ID Tube)
30*	100-16E	Foot Valve

\*Foot Valve also available with silicone (100-16S) or Viton (100-16V) rubber seals. Please specify material when ordering.

ACCESSORIES		
NO.	PART NO.	DESCRIPTION
31	68-6-QD2	Pressure Indication Tee