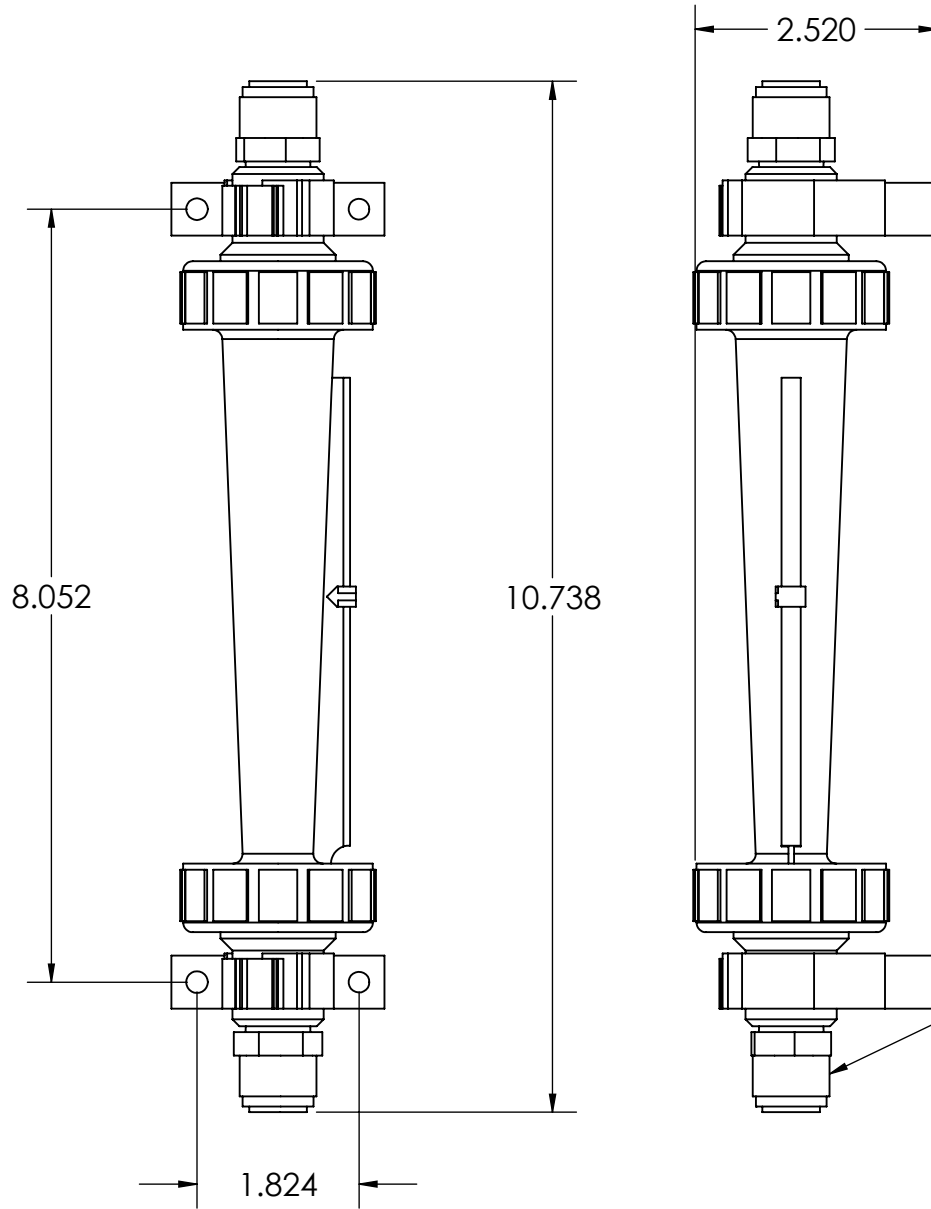


ASM0815

REV.

LAST REV.: --
DESCRIPTION:

REV. DATE: -

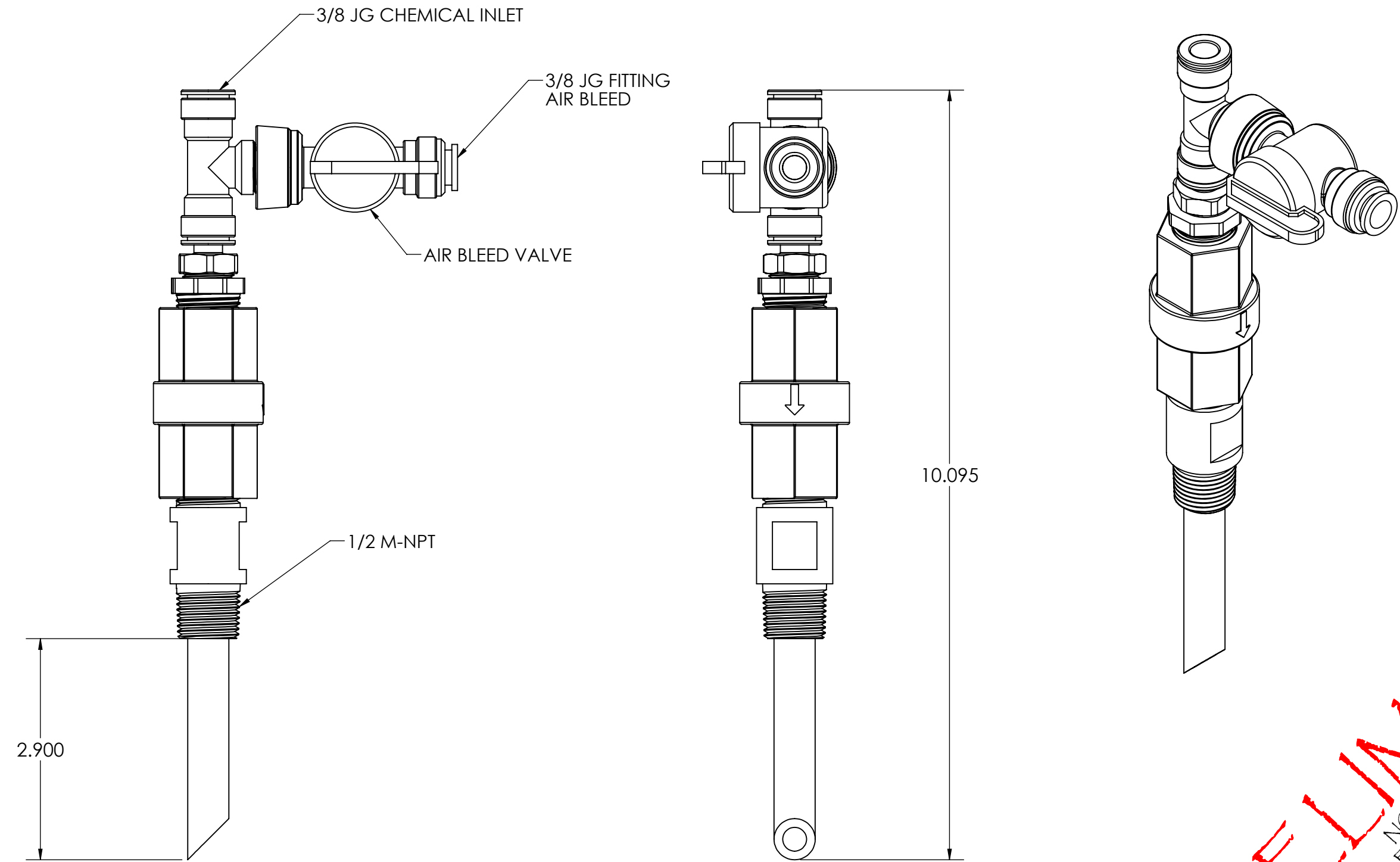


JOHN GUEST FITTING FOR 3/8" TUBE
2 PLACES

© STANDARD MACHINE & MFG. CO. ALL RIGHTS RESERVED. THIS DRAWING AND THE INFORMATION IT CONTAINS ARE THE EXCLUSIVE PROPERTY OF STANDARD MACHINE & MFG. CO., AND NO PART OF THIS DRAWING MAY BE USED, DISCLOSED, DISTRIBUTED OR REPRODUCED IN ANY FORM OR ANY MEANS (ELECTRONIC, MECHANICAL, PHOTOCOPYING, OR OTHERWISE) WITHOUT ITS PRIOR WRITTEN PERMISSION.



TOLERANCES: COMPLY WITH ENG SPEC. 2A DECIMAL: .XXX ±.005" .XX ±.010" FRACTIONAL: ±1/64" ANGULAR: ±1/2°		MATERIAL -		FINISH -		<h1>FLOW METER ASSEMBLY</h1>			 ST. LOUIS, MO 63122
		HARDNESS -	SCALE 1:4	DATE 5/2/2016	DRAWN BY MLH	DWG. X40673	REV --	MFG. ENG -	



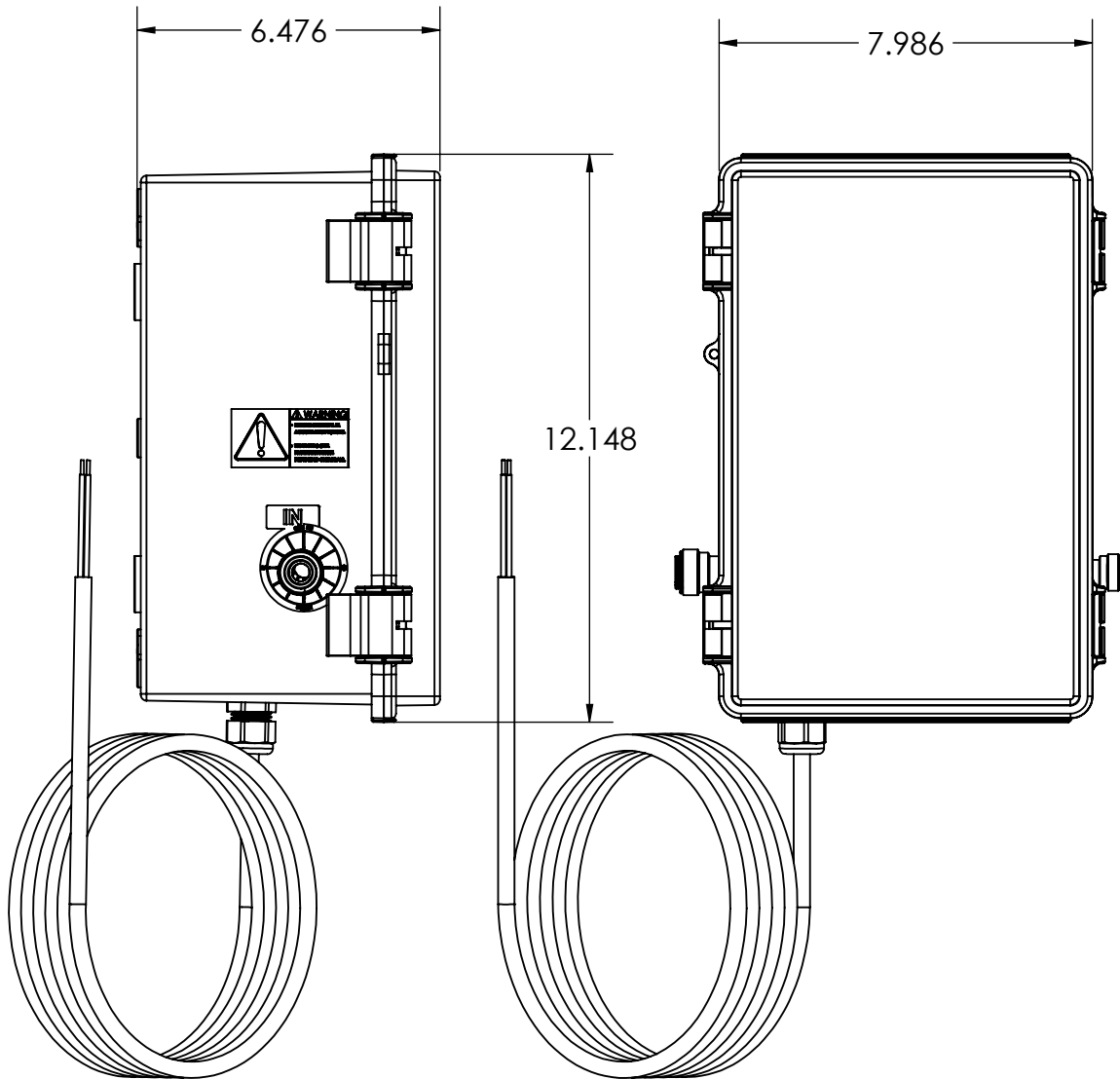
PRELIMINARY
 NOT RELEASED
 FOR PRODUCTION

© STANDARD MACHINE & MFG. CO. ALL RIGHTS RESERVED. THIS DRAWING AND THE INFORMATION IT CONTAINS ARE THE EXCLUSIVE PROPERTY OF STANDARD MACHINE & MFG. CO., AND NO PART OF THIS DRAWING MAY BE USED, DISCLOSED, DISTRIBUTED OR REPRODUCED IN ANY FORM OR ANY MEANS (ELECTRONIC, MECHANICAL, PHOTOCOPYING, OR OTHERWISE) WITHOUT ITS PRIOR WRITTEN PERMISSION.

LAST REV: -- DESCRIPTION: REV. DATE: --

TOLERANCES: COMPLY WITH ENG SPEC. 2A DECIMAL: .XXX ±.005" .XX ±.010" FRACTIONAL: ±1/64" ANGULAR: ±1/2°	MATERIAL		FINISH		QUILL - 1/2 NPT X 3/8 TUBE X40672			REV	MFG. ENG	APPROVED
	SCALE	DATE	DRAWN BY	SHEET						
	1:4	04/27/2016	MLH	1	1		--	-	-	





SPECS:

1. PUMP RATED 1.1 GPM AT 60 PSI
2. 12 VOLTS, 10 AMP DIAPHRAGM PUMP
3. 16 GA. 2 CONDUCTOR SOOW POWER CORD, 20' LONG
4. SUPPLIED WITH 1/2" OD X 20' LONG LDPE INLET TUBING
5. SUPPLIED WITH 3/8" OD X 20' LONG LDPE OUTLET TUBING
6. SUPPLIED WITH CHEMICAL TANK FLOAT SWITCH. PP BODY, PVC 20' CABLE
7. SUPPLIED CHEMICAL INJECTING QUILL ASSEMBLY (SHOWN ON SEPARATE DRAWING)
8. SUPPLIED WITH ANALOG CHEMICAL FLOW METER (SHOWN ON SEPARATE DRAWING)

LAST REV.: -- DESCRIPTION:

REV. DATE: -

© STANDARD MACHINE & MFG. CO. ALL RIGHTS RESERVED. THIS DRAWING AND THE INFORMATION IT CONTAINS ARE THE EXCLUSIVE PROPERTY OF STANDARD MACHINE & MFG. CO., AND NO PART OF THIS DRAWING MAY BE USED, DISCLOSED, DISTRIBUTED OR REPRODUCED IN ANY FORM OR ANY MEANS (ELECTRONIC, MECHANICAL, PHOTOCOPYING, OR OTHERWISE) WITHOUT ITS PRIOR WRITTEN PERMISSION.



TOLERANCES:
 COMPLY WITH
 ENG SPEC. 2A
 DECIMAL: .XXX ±.005"
 .XX ±.010"
 FRACTIONAL: ±1/64"
 ANGULAR: ±1/2°

MATERIAL	FINISH	
-	-	
HARDNESS	SCALE	DATE
-	1:8	5/2/2016
	DRAWN BY	DWG.
	MLH	

X40559 INSTALL SHEET

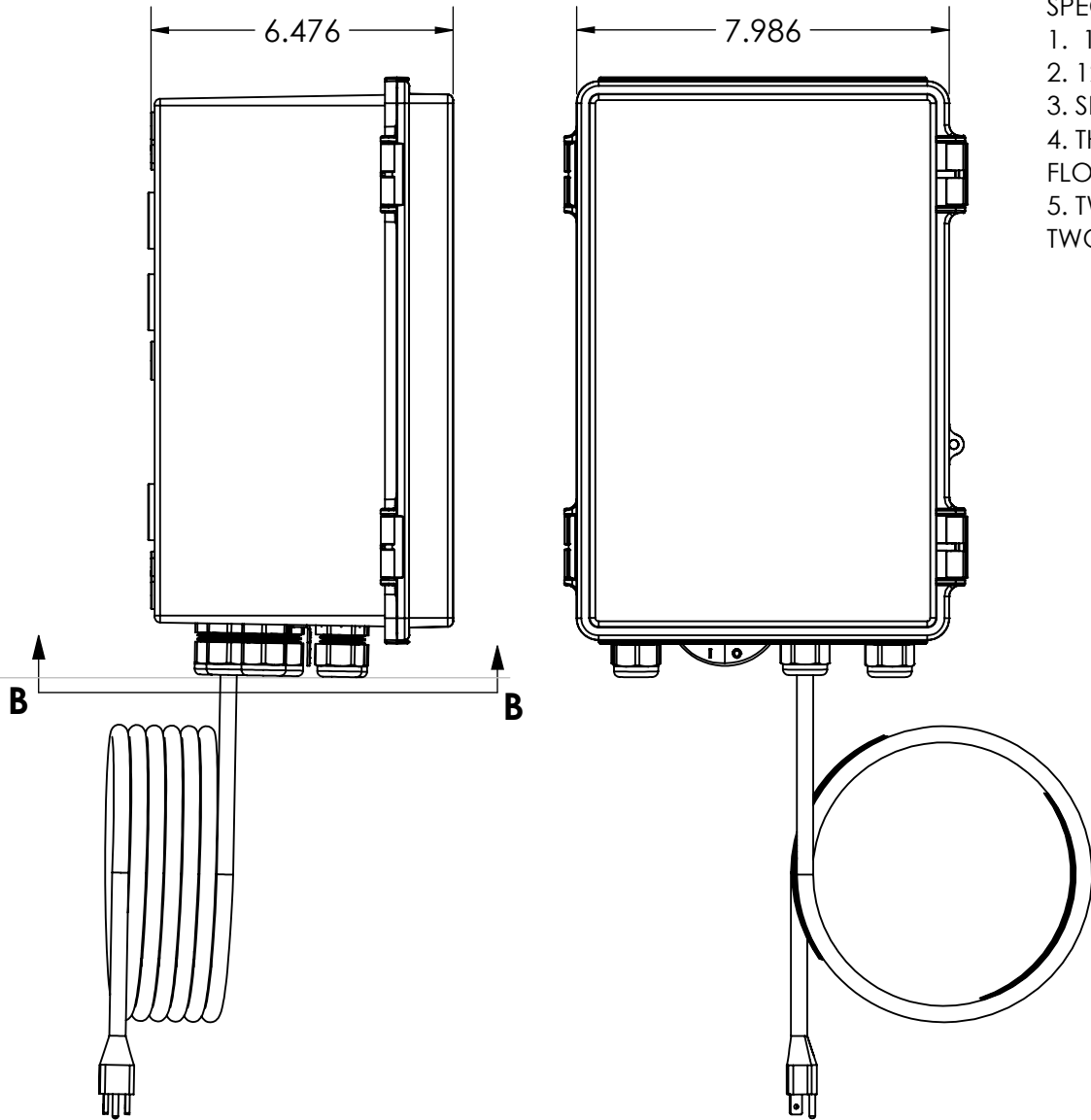
REV	MFG. ENG	APPROVED
--	-	-



ST. LOUIS, MO 63122

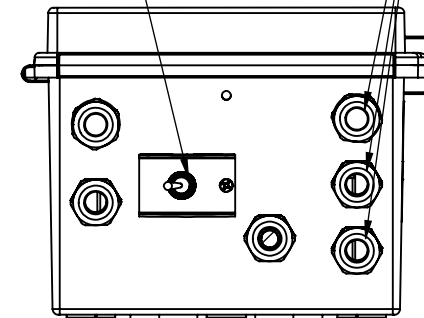
SPECS:

1. 14 GA. SOOW CORD SET WITH NEMA 5-15 PLUG
2. 120 VOLT, 2 AMPS
3. SPLASH RESISTANT TOGGLE ON/OFF SWITCH
4. THREE LIQUID-TIGHT CORD GRIPS TO ACCOMDATE FLOAT SWITCH AND FLOW METER INPUTS.
5. TWO LIQUID-TIGHT CORD GRIPS TO ACCOMMODATE TWO 12 VOLT - 10 AMP PUMP OUTPUTS.



INLET FOR FLOAT SWITCH
AND FLOW METER CABLES
0.170 TO 0.450 CABLE DIA RANGE

POWER SWITCH



SECTION B-B
SCALE: 1 : 4

© STANDARD MACHINE & MFG. CO. ALL RIGHTS RESERVED. THIS DRAWING AND THE INFORMATION IT CONTAINS ARE THE EXCLUSIVE PROPERTY OF STANDARD MACHINE & MFG. CO., AND NO PART OF THIS DRAWING MAY BE USED, DISCLOSED, DISTRIBUTED OR REPRODUCED IN ANY FORM OR ANY MEANS (ELECTRONIC, MECHANICAL, PHOTOCOPYING, OR OTHERWISE) WITHOUT ITS PRIOR WRITTEN PERMISSION.



TOLERANCES: COMPLY WITH ENG SPEC. 2A DECIMAL: .XXX ±.005" .XX ±.010" FRACTIONAL: ±1/64" ANGULAR: ±1/2°	MATERIAL -		FINISH -		<h1>ENCLOSURE - CONTROL</h1>			
	HARDNESS -	SCALE 1:8	DATE 5/2/2016	DRAWN BY MLH				



ST. LOUIS, MO 63122