

TIG/TIF

Applications

Secondary filtration, safety filtration. The disk filter allows high efficiency and filtration precision. Thanks to the excellent UV ray resistance, it can be installed outdoors without any protection.

Materials

- Body: polyamide reinforced with fibre glass
- Cover: polyamide reinforced with fibre glass
- Closure elements:
 - polyamide ring nut
 - ring in stainless steel AISI 304
- Filtering element:
 - mesh in stainless steel AISI 304 with polypropylene structure
 - polypropylene disks
- Gaskets: NBR

Characteristics

- Maximum working pressure: 10 bar at 20°
- Standard filtration grade: 120 mesh (filtration available: 50, 80, 150, 200 mesh)
- Types of connection: threaded, victaulic or combined
- Manometer coupling: Ø1/4" female
- Installation: on line or at right angle

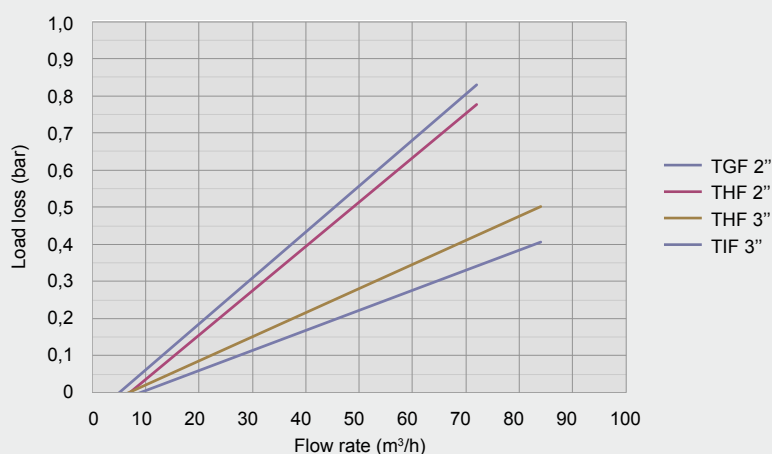


TIG
with ring nut



TIF
with S.S. ring

Load loss*



*Testing for load loss was carried out with clean water.

TIG/TIF

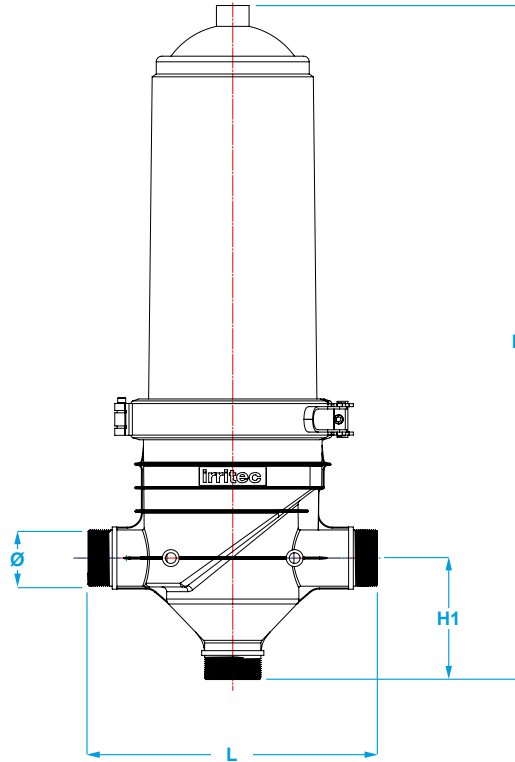
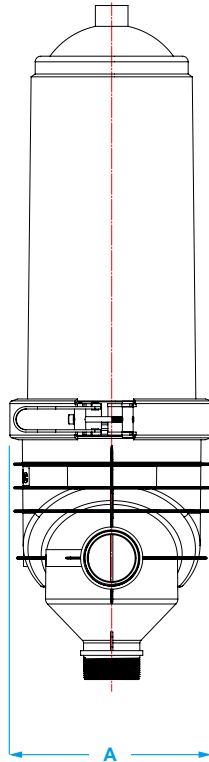
Technical data

Couplings	Pricelist ref.	Filtering cartridge	Rec. max. flow rate (m ³ /h)	Filtration area (cm ²)
3"	IFTI#IIL	s.s.	50	1868
	IFTI#IDL	disk		
	IFTI#IEL	Rotodisk™		

Replace # with G (ring nut) or F (ring)

Dimensions

Ø (inches)	L (mm)	A (mm)	H (mm)	H1 (mm)	Weight (kg) TIG	Weight (kg) TIF
3"	327	250	790	140	8,4	8



Components

Number	Description
1A	stainless steel ring cover
1B	ring nut cover
2	or cover
3	stainless steel closure ring
4	complete stainless steel screen cartridge
5	complete stainless steel disk cartridge
6	Rotodisk® cartridge (with deflector)
7A	closure body with ring
7B	closure body with ring nut

